

The table, small table and stools of the *Odos* series are meeting places for students after class and dining rooms in homes. The gentle, flexible lines of *Odos* evoke comfort and proximity, accommodating in public areas and the landscape, all those who want to converse, eat, work, get together or celebrate.

UHPC | 150 cm/max | 615 kg | 1/ud.

Update 19.03.2018



Origin

Designed to furnish the campus of the Rovira i Virgili university in the city of Reus, Tarragona.

Design

The elegance of Slimconcret allows the adaptation of the furniture to the outdoors to be gradual, with no sudden changes in shape or thickness.

Adaptable

The *Odos* collection comprises a table of 150 cm in diameter and a second table with a diameter of 70 cm; both are complemented by a separate seat element that permits the installation of two different units. A large table with stools around it or desk-type tables with a stool for a single user.

Ecological

The lightweight nature of the UHPC-Slimconcrete products makes them easy to transport and reduces energy consumption in their fabrication. Their 100% recyclable material composition optimises their life cycle.

Material

Made from a single piece of UHPC-Slimconcrete.

Installation

Easy to lift and handle with slings and both tables and stools are self-stabilising. The three elements are installed anchored to the paving. No specific foundations are needed when installed on sand or lawn.



ODOS



Escofet®

1. Stool, desk and table

Odos

Dimensions	Stool Ø45x45 cm Table Ø150x74 cm	Desk Ø71x74 cm
-------------------	---	-----------------------

Weight	Stool 52 kg Table 615 kg	Desk 135 kg
---------------	---	--------------------

1.1 General features

Material	UHPC concrete	Fixing	Anchored with screws
-----------------	---------------	---------------	----------------------

Finish	Etched and waterproofed / Soft polished (*)		
---------------	---	--	--

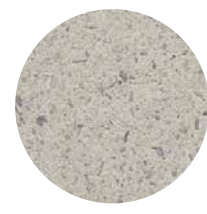
Colours



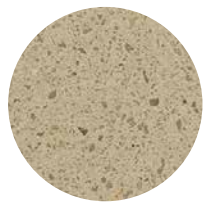
UHPC GR. Grey



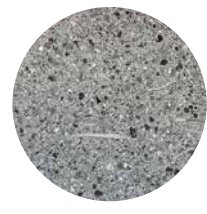
UHPC NG. Black



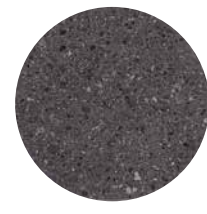
UHPC BL. White



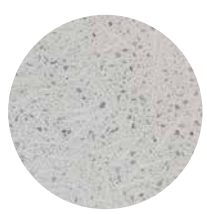
UHPC BG. Beige



UHPC GR P. Grey soft polished



UHPC NG P. Black soft polished



UHPC BL P. White soft polished

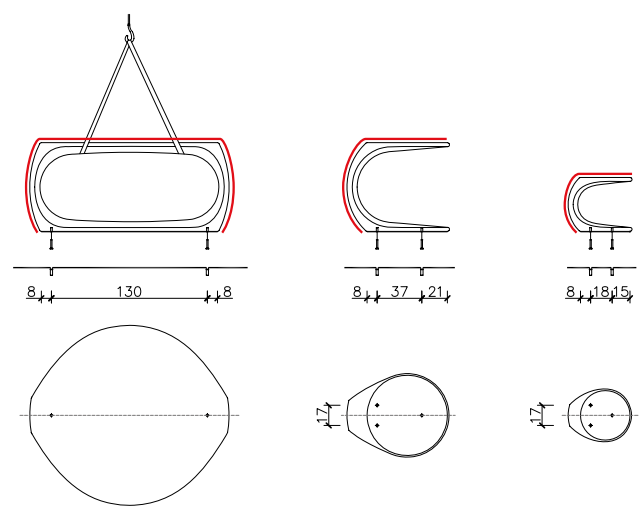


UHPC BG P. Beige soft polished

1.2 Installation system

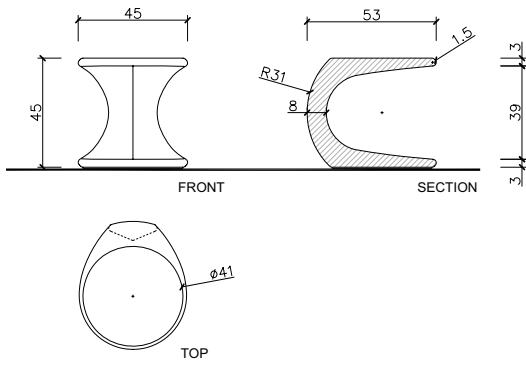
Hoisting
(W=52 kg / 135 kg / 615 kg)

Installation
Drill pavement Ø 30 and fill with resin or fat mortar.
Screw the stud bolts M10X100. Center and caulk the bench foot all around.

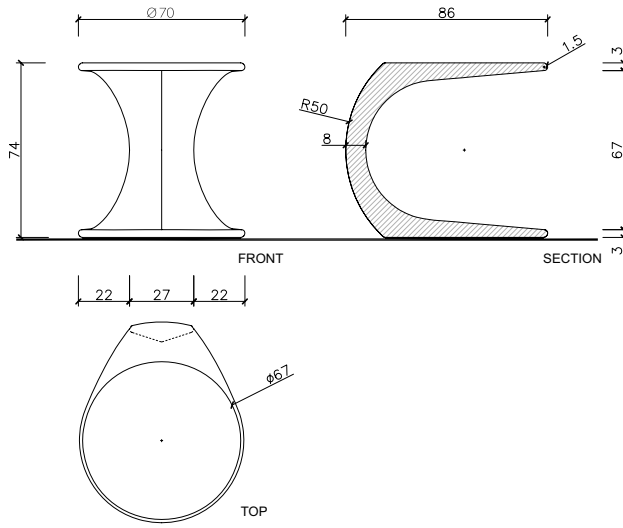


(*) The soft polished finish is only applied on the upper surface (see red line).

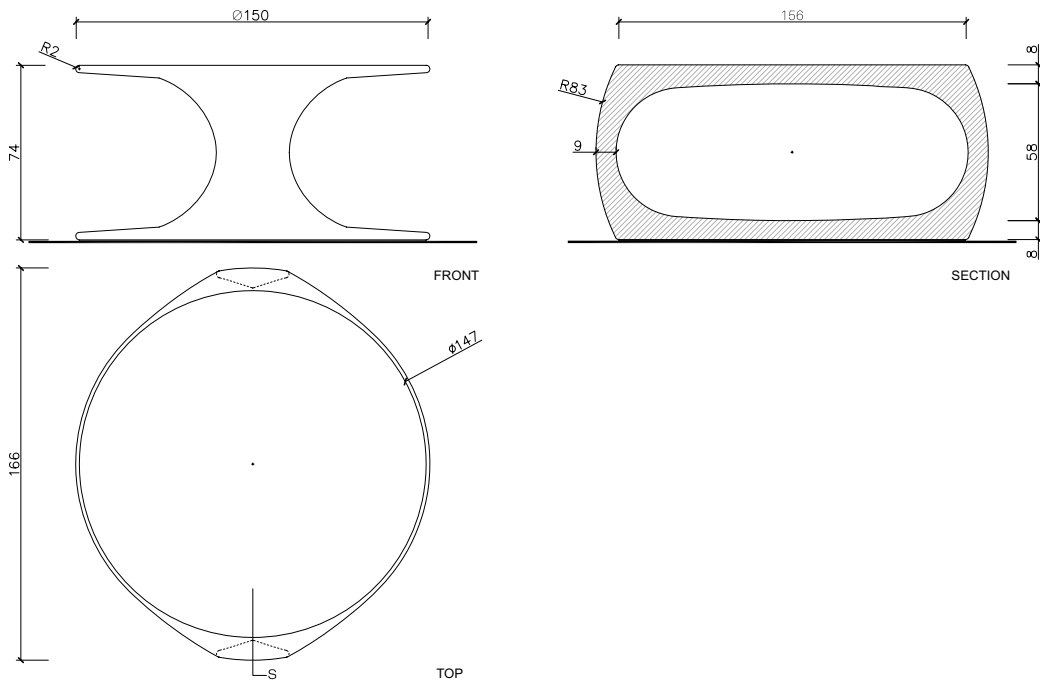
Stool



Desk



Table





Warranty

5 years in all its components.

The names, trademarks and industrial models of the products have been logged in the corresponding registers. The technical information provided by Escofet about its products can be modified without prior notice.

Escofet 1886 S.A
Head office and production

Montserrat, 162
E 08760 Martorell
Barcelona - España
T. 0034 937 737 150
F. 0034 937 737 151

info@escofet.com
www.escofet.com

Follow us



GA-2005/0072 SST-0090/2010 ER-0403/2016