

Boomerang is a coloured seat made from concrete. It is reminiscent of a playful object with three blades that is designed to fly and be shared. It has been created to be installed in a public area as an isolated element or as part of a group, inviting users to communicate, move and play.

Concrete | 252 cm/máx. | 1850 kg | 6

Update 10.05.2021



Origin

This element belongs to the collection of “New benches for the Gran Via in Barcelona” represented by *Boomerang*, *Extasi*, *Puff*, *Cargol* and *Desert*. Each of these elements has a singular geometry, and their shapes and dimensions evoke different situations. *Puff* and *Extasi* evoke the privacy of the home, *Boomerang* reminds us of flying objects, while *Cargol* elicits the world of animals and *Desert* the universe of minerals. Each of them stimulate the imagination and awaken the senses in their own way.

Material

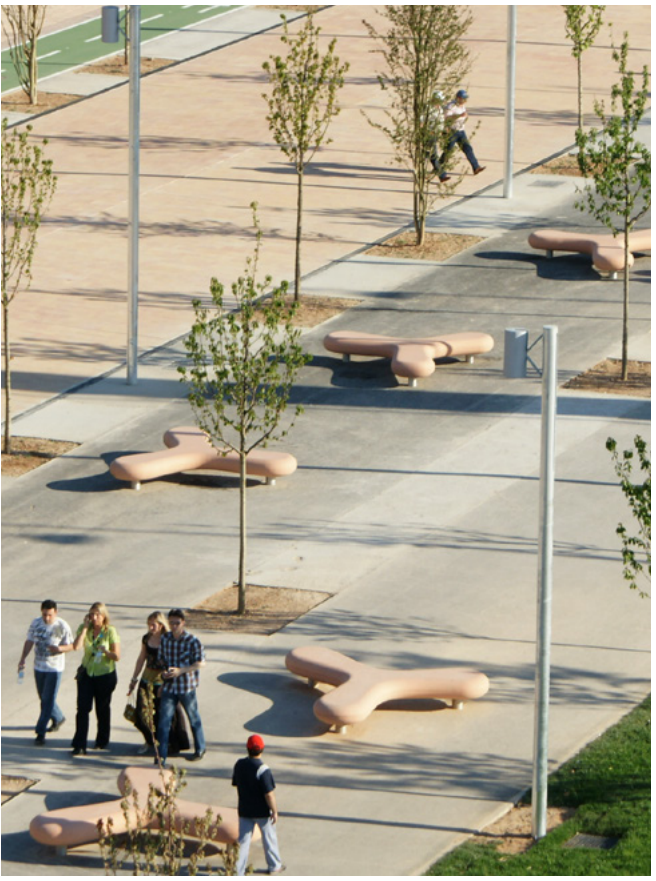
Reinforced dry-mix concrete, etched and in the standard Escofet chart colours, with AISI 316 stainless steel supports in the shape of a cylinder, anchored to the concrete body with stainless steel screws.

Installation

It simply rests on the paving, and requires no anchors.



BOOMERANG



1. Backless bench

Boomerang

Dimensions 238 x 252 x 42 cm

Weight 1850 kg

1.1 General features

Material Reinforced concrete **Fixing** Free-standing

Finish Etched and waterproofed

Supports Stainless steel **Finish** Satin

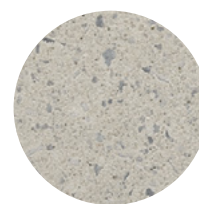
Colours



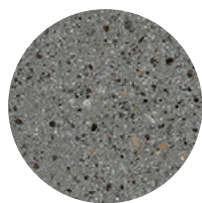
GR. Grey



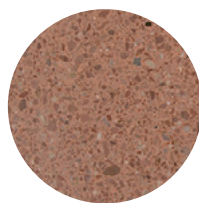
NG. Black



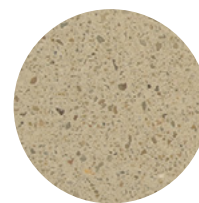
BL. White



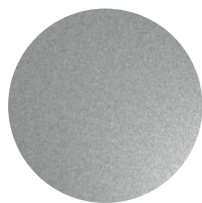
CA. Grey CA



RA. Red



BG. Beige



A. Stainless steel

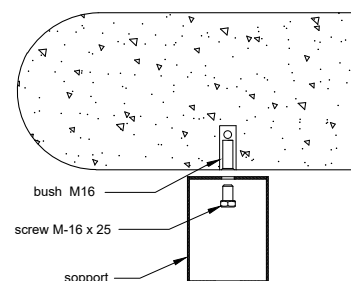
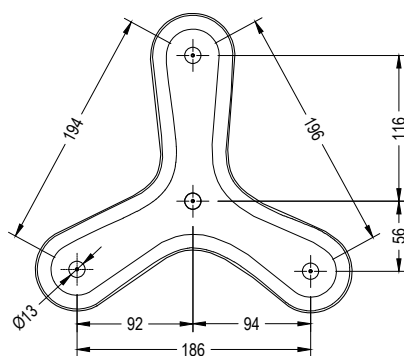
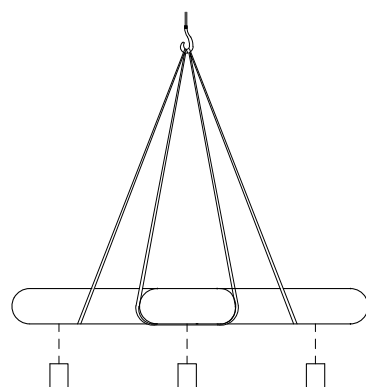
1.2 Installation system

Hoisting

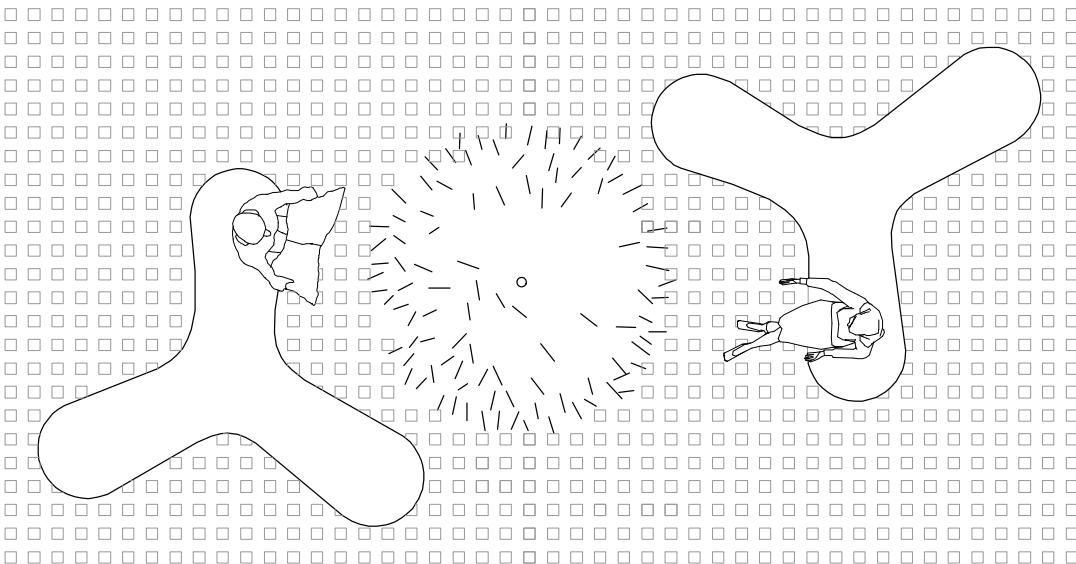
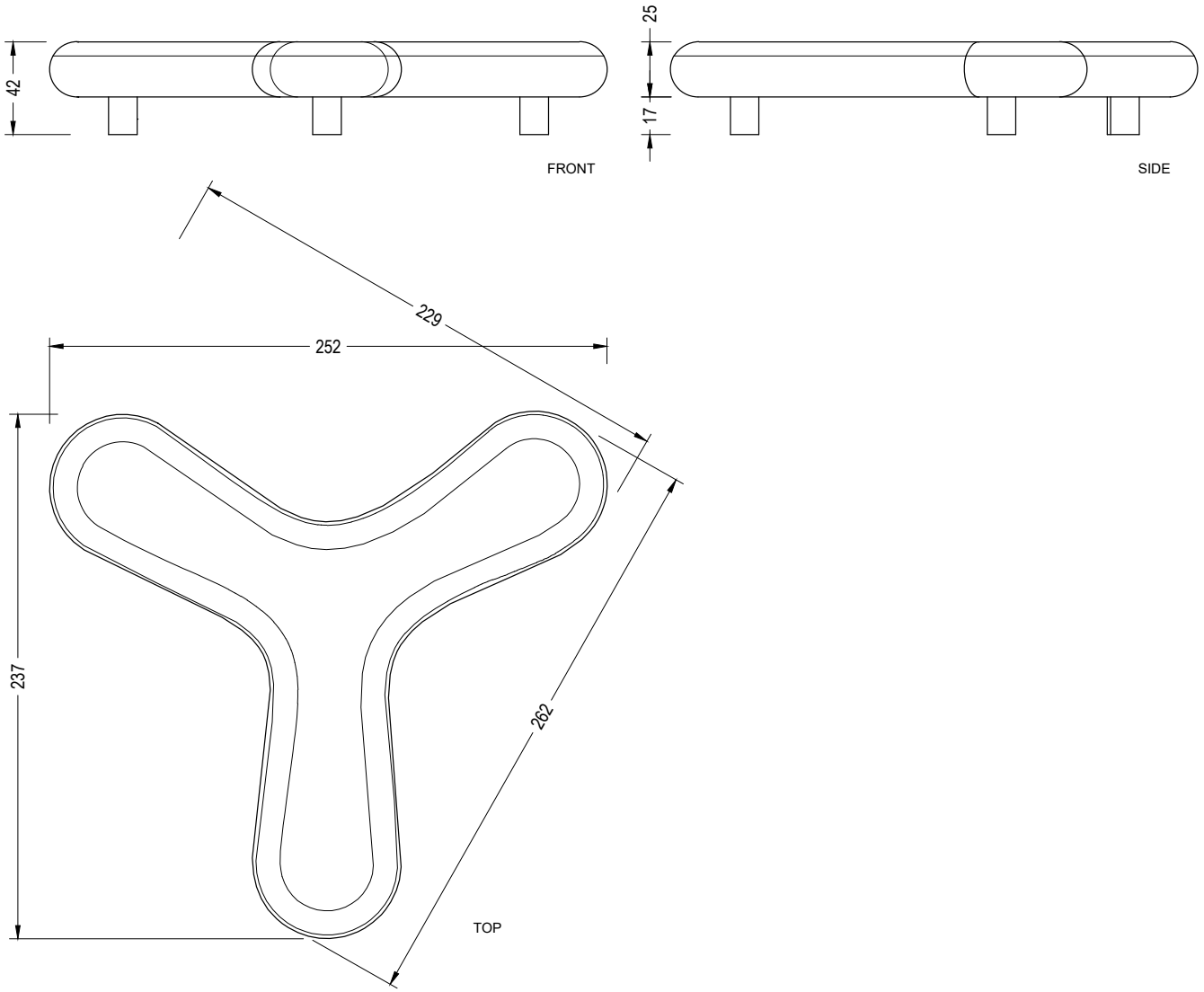
P=1850 kg

Installation

Place supports and tightly screw 4 stud bolts M-16. Unload and place on the pavement.



Boomerang





Warranty

5 years in concrete elements.

The names, trademarks and industrial models of the products have been logged in the corresponding registers. The technical information provided by Escofet about its products can be modified without prior notice.

Escofet 1886 S.A
Head office and production

Montserrat, 162
E 08760 Martorell
Barcelona - España
T. 0034 937 737 150
F. 0034 937 737 151

info@escofet.com
www.escofet.com



GA-2005/0072 SST-0090/2010 ER-0403/2016