

The *Nantes* chair model was designed based on a contemporary interpretation of furniture archetypes and the structural and formal possibilities of *Escofet's* UHPC-Slimconcrete. A tensioned membrane, resolved with the lowest possible thickness and inserted into an independent, self-stabilising metal structure.

UHPC | Stainless steel |  66 cm |  52 kg |  1

 Update 12.02.2020



**Origin**

Inspired by the design of mass-produced, low-cost seats with metal structures and a tensioned fabric, we associated the characteristics of the behaviour of this material and the shapes it generates with the possibilities offered by UHPC-Slimconcrete in the site furnishings field.

**Design**

The *Nantes* chair is reminiscent of mass-produced textile furniture. Fabrics hung on lightweight metal structures, sometimes folded, with the structure and membrane being completely independent.

**Ecological**

The lightweight nature of the UHPC-Slimconcrete products makes them easy to transport and reduces energy consumption in their fabrication. Their 100% recyclable material composition optimises their life cycle.

**Material**

The bench is made from a single piece of UHPC-Slimconcrete. Solid machined, folded stainless steel profile structure.

**Installation**

The *Nantes* chair is installed on the paving, anchored with threaded rods fastened with resin. In the case of a detachable installation, the anchorage is executed with through-bolts and expansion plugs.



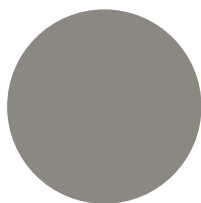
The current, shared taste for simplicity and a certain "revival" of objects that we associate with the pleasure of our childhood summer holidays is patent in the Nantes chair, inspired by mass-produced, low-cost textile furniture, and associated with situations of leisure and relaxation in our collective memory.



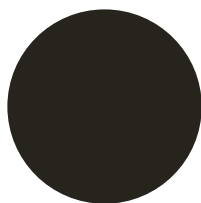
# 1. Chair and table

Nantes	Chair	Chair armrest	Table
<b>Dimensions</b>	55 x 66 x 45 (88) cm	64 x 66 x 45 (88) cm	Ø 100 x 70 cm
<b>Weight</b>	48 kg	52 kg	98 kg
<b>1.1 General features</b>			
<b>Material</b>	UHPC concrete	<b>Fixing</b>	Anchored with screws
<b>Finish</b>	Color watherproof		
<b>Texture</b>	Relief 1mm, hessian pattern		
<b>Supports</b>	Stainless steel AISI 316 L	<b>Finish</b>	Sandblasted

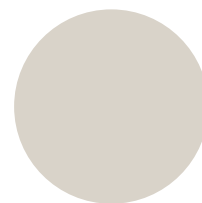
## Colours



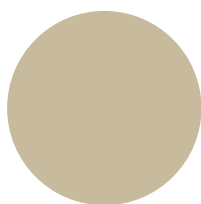
UHPC GR. Grey



UHPC NG. Black



UHPC BL. White



UHPC BG. Beige



A. Sandblasted stainless steel

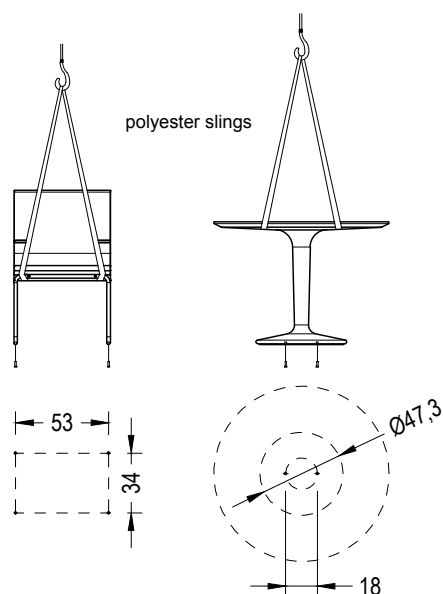
## 1.2 Installation system

### Hoisting

(W=48 kg / 52 kg)

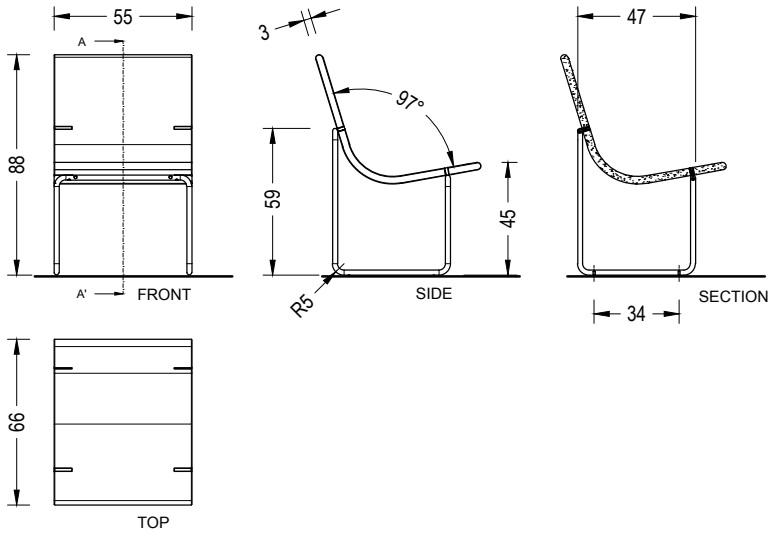
### Installation

Drill the pavement Ø12 and fill with resin or fat mortar. Screw the 4 stud bolts DIN 913 M10 x 100 mm. Center and caulk the bench foot all around.

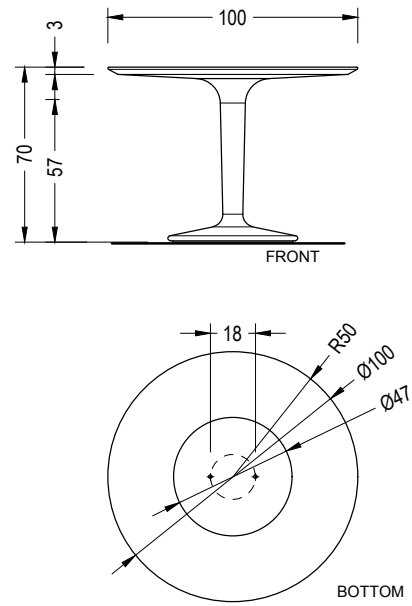


## 1.3 Geometry

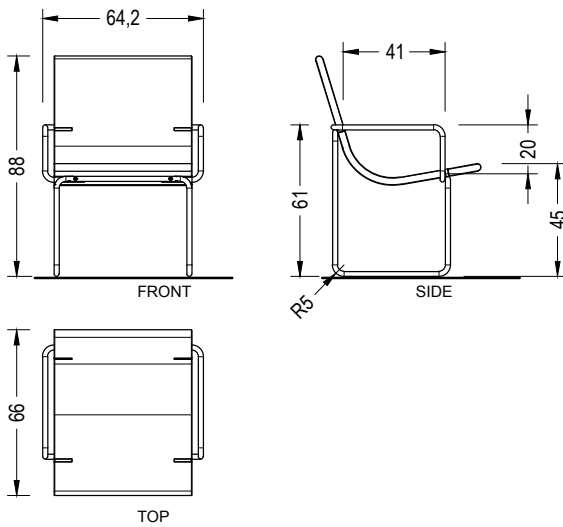
### Chair



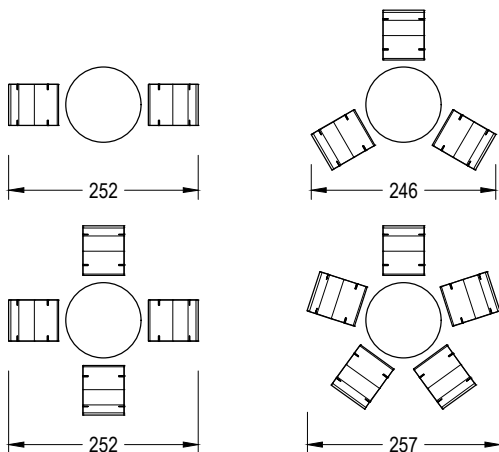
### Table



### Chair armrest



### Aggregation





## Warranty

5 years in concrete elements.

The names, trademarks and industrial models of the products have been logged in the corresponding registers. The technical information provided by Escofet about its products can be modified without prior notice.

Escofet 1886 S.A  
Head office and production

Montserrat, 162  
E 08760 Martorell  
Barcelona - España  
T. 0034 937 737 150  
F. 0034 937 737 151

info@escofet.com  
www.escofet.com



GA-2005/0072 SST-0090/2010 ER-0403/2016