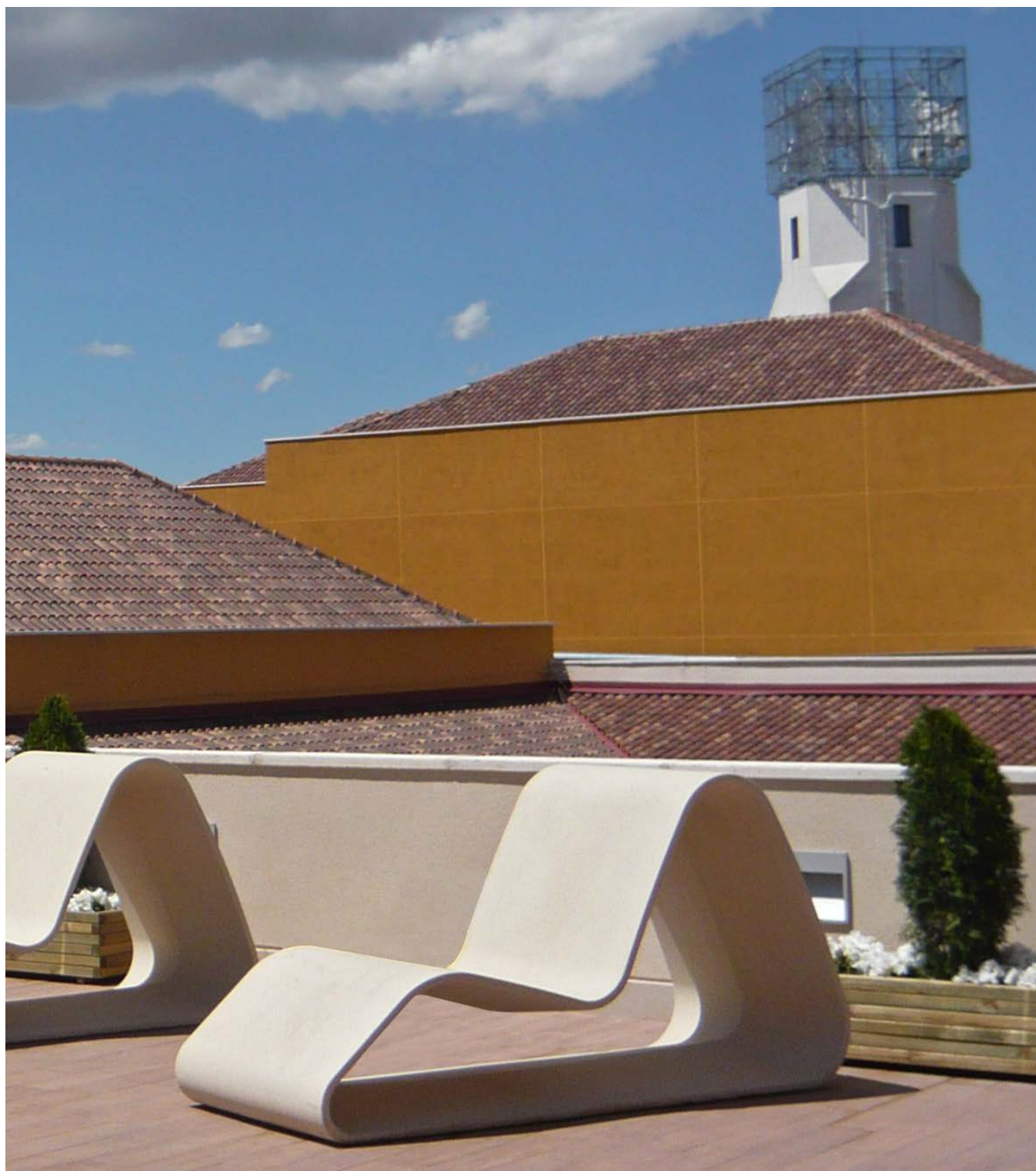


Rio is the visualization of a landscape embodied in an object. But it is essentially an experience. The euphoria of nature brought to the surface in dynamic forms that move sensually, stopping to admire the arched back of Pan de Azúcar hill from Copacabana beach. This lounge reconciles exuberance and precision, rhythm with quietness.

UHPC | 194 cm | 734 kg | 3

Update 08.01.2018



Origen

Rio lounguer was originally designed for installation on the sand at Copacabana beach.

Diseño

The elegance of Slimconcret allows the adaptation of the furniture to the outdoors to be gradual, with no sudden changes in shape or thickness.

Ecologic

The lightweight nature of the UHPC-Slimconcrete products makes them easy to transport and reduces energy consumption in their fabrication. Their 100% recyclable material composition optimises their life cycle.

Material

Made from a single piece of UHPC-Slimconcrete.

Installation

Easy to lift and handle with slings are self-standing, no specific foundations are needed and they are installed just self-standing on sand, lawn or pavement.



RIO



Escofet®

1. Bench

Rio	
Dimensions	194 x 84 x 48 (111) cm

Weight	734 kg
---------------	--------

1.1 General features

Material	UHPC Concrete	Fixing	Free-standing
-----------------	---------------	---------------	---------------

Finish	Etched and waterproofed
---------------	-------------------------

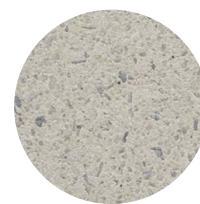
Colours



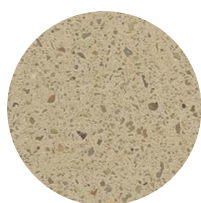
UHPC GR. Grey



UHPC NG. Black



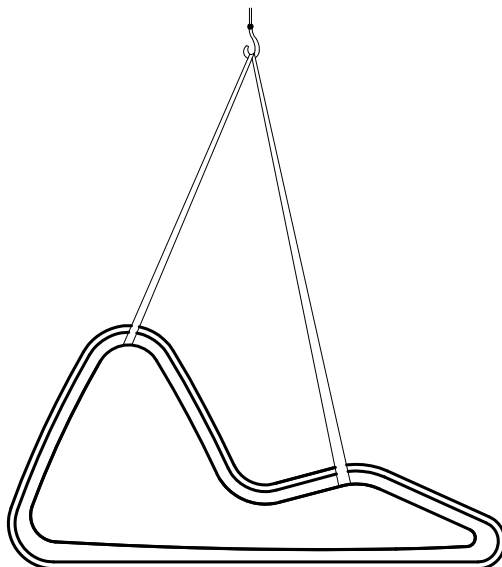
UHPC BL. White



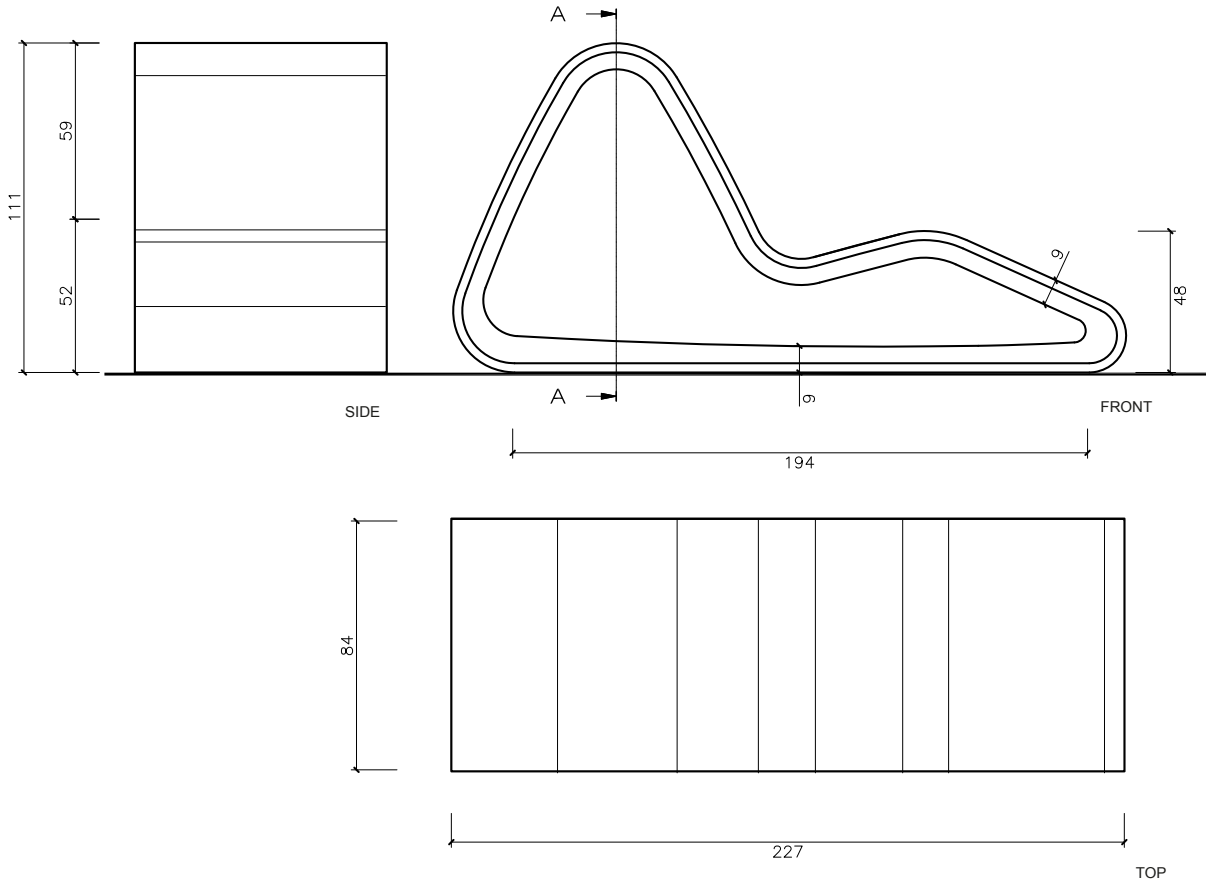
UHPC BG. Beige

1.2 Installation system

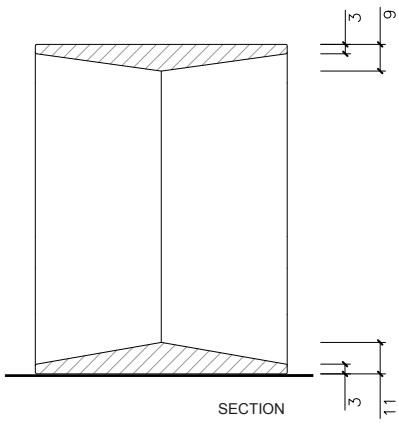
Hoisting (W= 734 kg)



Rio



Section





Warranty

5 years in all its components.

The names, trademarks and industrial models of the products have been logged in the corresponding registers. The technical information provided by Escofet about its products can be modified without prior notice.

Escofet 1886 S.A
Head office and production

Montserrat, 162
E 08760 Martorell
Barcelona - España
T. 0034 937 737 150
F. 0034 937 737 151

info@escofet.com
www.escofet.com

Follow us



GA-2005/0072 SST-0090/2010 ER-0403/2016